

# Affordable CTD for coastal ocean

# Tegaru-CTD

Robust, compact and low cost

ISO9001



JQA0950



- Easy data visualization during field work
- Operation via tablet or smartphone
- Data transfer via Bluetooth® wireless technology
- Wireless charging



JFE Advantech Co., Ltd.

# Affordable CTD for coastal ocean

Model: ACTDf-BT

## ■ Description

This instrument is a compact-size CTD that can be charged wirelessly and uses Bluetooth® communication with smartphones or tablets running AndroidOS. Its simple operational approach, robustness and low-cost allows for a variety of applications, such as small-scale fisheries and aquaculture.

## ■ Sensor Specifications

Sensor	Pressure	Temperature	Conductivity	Salinity
Principle	Semi conductor	Thermistor	5-electrode	Practical salinity scale
Accuracy	±1% FS	±0.2°C <sup>(2)</sup>	±0.2 mS cm <sup>-1</sup> <sup>(3)</sup>	-
Measurement range	0 to 200 m	-3 to 45°C	0.5 to 70 mS cm <sup>-1</sup>	2 to 42
Response time <sup>(1)</sup>	<0.1 s	<0.2 s	<0.2 s	<0.2 s (63%)

<sup>(1)</sup> typical

<sup>(2)</sup> from 3 to 31°C

<sup>(3)</sup> from 20 to 50 mS cm<sup>-1</sup>

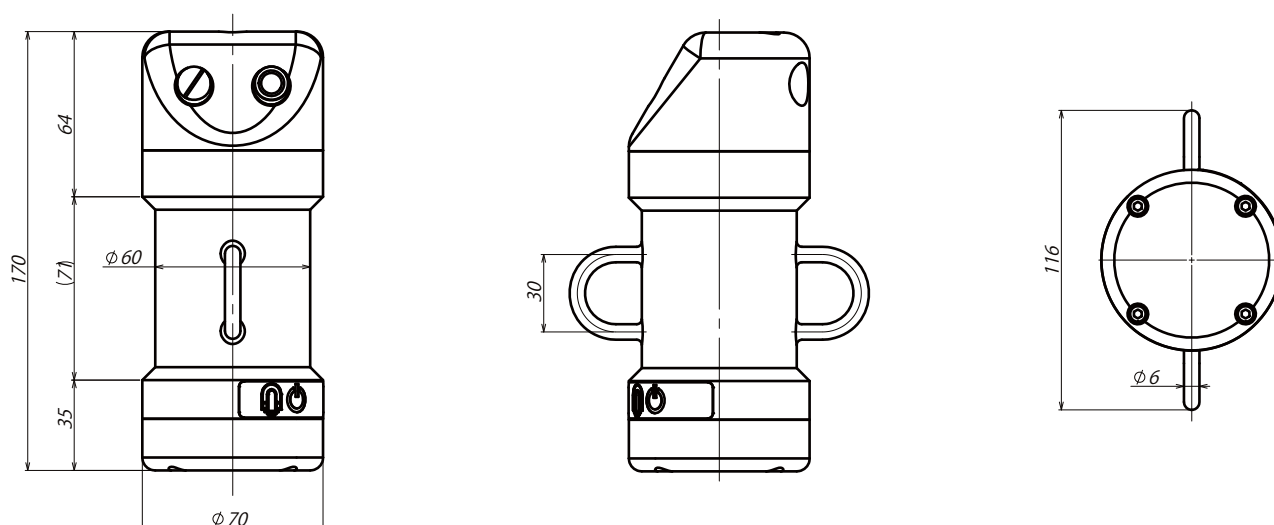
## ■ Instrument Specifications

Communication	Bluetooth® wireless technology	
Measurement mode	Initiates measuring automatically at 2 m deep	
Sampling frequency	10Hz	
Power	Rechargeable Lithium-Ion Battery (wireless charging)	
Operation	More than 12h (continuous)	
Data output	CSV format	
Dimensions	Bracket section width	Aprox. 116 mm
	Main body	Φ70mm×170mm
Weight	Approx. 0.9 kg (in air)	
Depth rating	300 m depth equivalent	

Data transfer via Bluetooth® wireless technology



## ■ Drawing



※ Dimensions are in mm. ※ All specifications on this leaflet are subject to change without notice.



JFE Advantech Co., Ltd.

Ocean & River Instruments Division

URL: <http://www.jfe-advantech.co.jp/>

Head Office

3-48 Takahata cho, Nishinomiya, Hyogo 663-8202  
TEL. +81-798-66-1783 FAX. +81-798-66-1654

Tokyo Sales Office

JFE Kuramae Bldg. 2F, 2-17-4 Kuramae, Taito ku, Tokyo 111-0051  
TEL. +81-3-5825-5589 FAX. +81-3-5825-5591